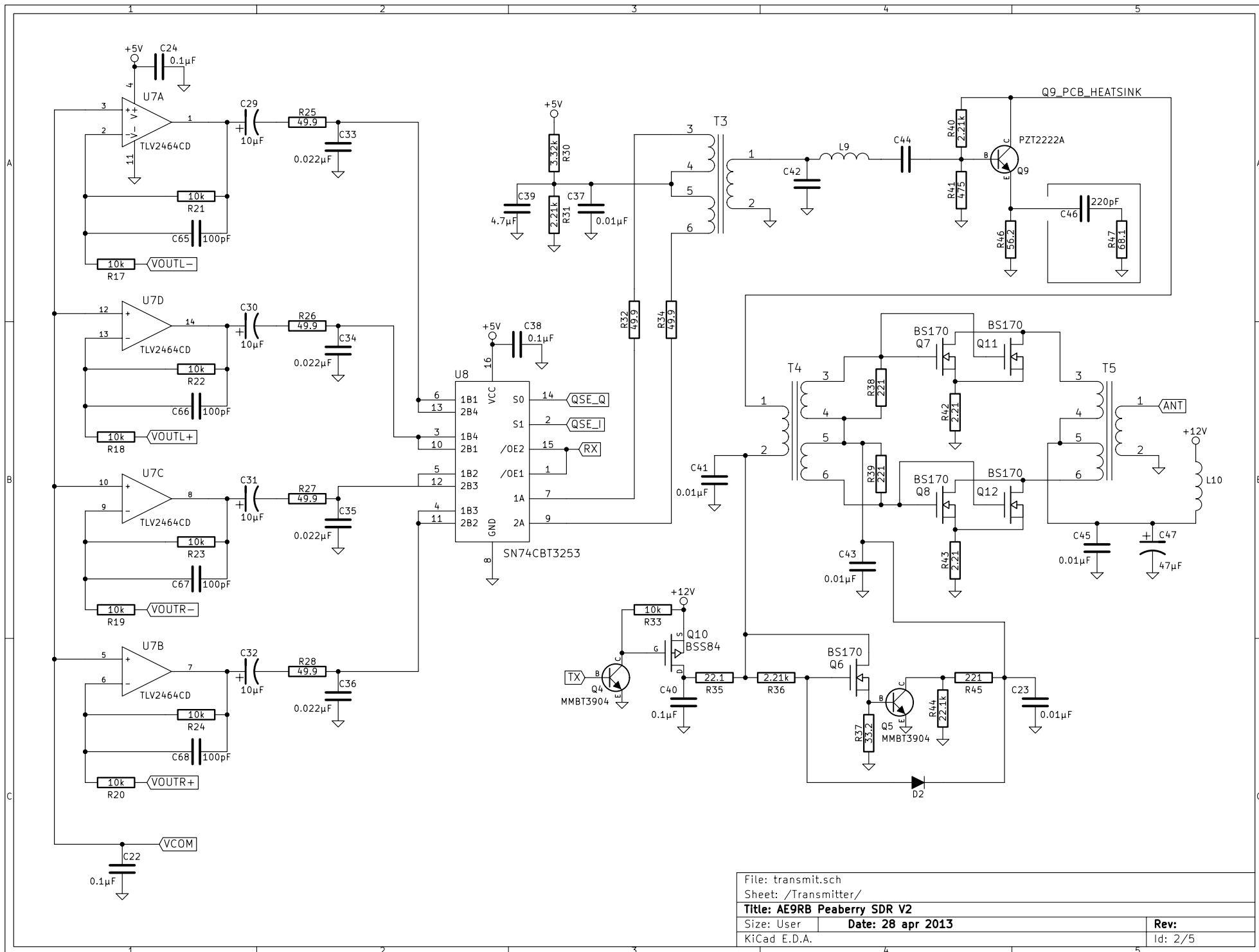


File: peaberry.sch
 Sheet: /
Title: AE9RB Peaberry SDR V2
 Size: User Date: 28 apr 2013
 KiCad E.D.A. Rev: Id: 1/5



File: transmit.sch	
Sheet: /Transmitter/	
Title: AE9RB Peaberry SDR V2	
Size: User	Date: 28 apr 2013
KiCad E.D.A.	Rev: Id: 2/5

Band Configuration

160
80/75

T1 2x4T #30
BN-43-2402 2x6"

T2 6T 2x3T #30
BN-43-2402 9" 2x5"

T3 8.325μH 44T 2x22T
T30-2 24" 2x12" #30

T4 6T 2x3T #30
BN-43-2402 9" 2x5"

T5 5T 2x3T #30
BN-43-2402 9" 2x5"

L9 4.132μH 31T
T30-2 17" #30

C42 390pF
C44 820pF
C46 omit
R47 omit
R10 475
R11 475

80/75
60/40

T1 2x4T #30
BN-43-2402 2x6"

T2 6T 2x3T #30
BN-43-2402 9" 2x5"

T3 4.971μH 34T 2x17T
T30-2 19" 2x10" #30

T4 6T 2x3T #30
BN-43-2402 9" 2x5"

T5 5T 2x3T #30
BN-43-2402 9" 2x5"

L9 2.081μH 22T
T30-2 13" #30

C42 206pF (150+56)
C44 472pF (390+82)
C46 omit
R47 omit
R10 1k
R11 1k

60/40
30/20

T1 2x4T #30
BN-61-2402 2x6"

T2 6T 2x3T #30
BN-61-2402 9" 2x5"

T3 3.240μH 30T 2x15T
T30-6 18" 2x10" #30

T4 6T 2x3T #30
BN-61-2402 9" 2x5"

T5 5T 2x3T #30
BN-61-2402 9" 2x5"

L9 1.040μH 17T
T30-6 10" #30

C42 100pF
C44 300pF
C46 omit
R47 omit
R10 1k
R11 1k

30/20
17/15

T1 2x4T #30
BN-61-2402 2x6"

T2 6T 2x3T #30
BN-61-2402 9" 2x5"

T3 1.742μH 22T 2x11T
T30-6 13" 2x7" #30

T4 6T 2x3T #30
BN-61-2402 9" 2x5"

T5 5T 2x3T #30
BN-61-2402 9" 2x5"

L9 0.810μH 15T
T30-6 9" #30

C42 82pF
C44 150pF
C46 220pF
R47 68.1
R10 1k
R11 1k

17/15
12/10

T1 2x4T #30
BN-61-2402 2x6"

T2 6T 2x3T #30
BN-61-2402 9" 2x5"

T3 0.706μH 14T 2x7T
T30-6 9" 2x5" #30

T4 5T 2x3T #30
BN-61-2402 9" 2x5"

T5 5T 2x3T #30
BN-61-2402 9" 2x5"

L9 0.810μH 15T
T30-6 9" #30

C42 47pF
C44 56pF
C46 220pF
R47 68.1
R10 1k
R11 1k

160

L5 5.184μH 36T
T37-2 20" #26

L6 11.664μH 54T
T37-2 29" #26

L7 3.364μH 29T
T37-2 17" #26

L8 1.600μH 20T
T37-2 12" #26

C10 1500pF
C11 690pF (390+300)
C12 omit
C13 4700pF
C14 2200pF

80/75

L1 3.364μH 29T
T37-2 17" #26

L2 7.396μH 43T
T37-2 24" #26

L3 1.296μH 18T
T37-2 11" #26

L4 0.676μH 13T
T37-2 9" #26

C5 550pF (330+220)
C6 270pF
C7 omit
C8 2700pF
C9 1500pF

60/40

L5 1.936μH 22T
T37-2 13" #26

L6 3.600μH 30T
T37-2 17" #26

L7 0.784μH 14T
T37-2 9" #26

L8 0.400μH 10T
T37-2 7" #26

C10 330pF
C11 183pF (150+33)
C12 omit
C13 1600pF (1500+100)
C14 820pF

30/20

L1 1.083μH 19T
T37-6 11" #26

L2 2.028μH 26T
T37-6 15" #26

L3 0.432μH 12T
T37-6 8" #26

L4 0.243μH 9T
T37-6 6" #26

C5 150pF
C6 82pF
C7 omit
C8 690pF (390+300)
C9 390pF

17/15

L5 0.675μH 15T
T37-6 10" #26

L6 1.452μH 22T
T37-6 13" #26

L7 0.243μH 9T
T37-6 7" #26

L8 0.108μH 6T
T37-6 5" #26

C10 100pF
C11 47pF
C12 omit
C13 630pF (300+330)
C14 270pF

12/10

L1 0.507μH 13T
T37-6 9" #26

L2 1.083μH 19T
T37-6 12" #26

L3 0.192μH 8T
T37-6 6" #26

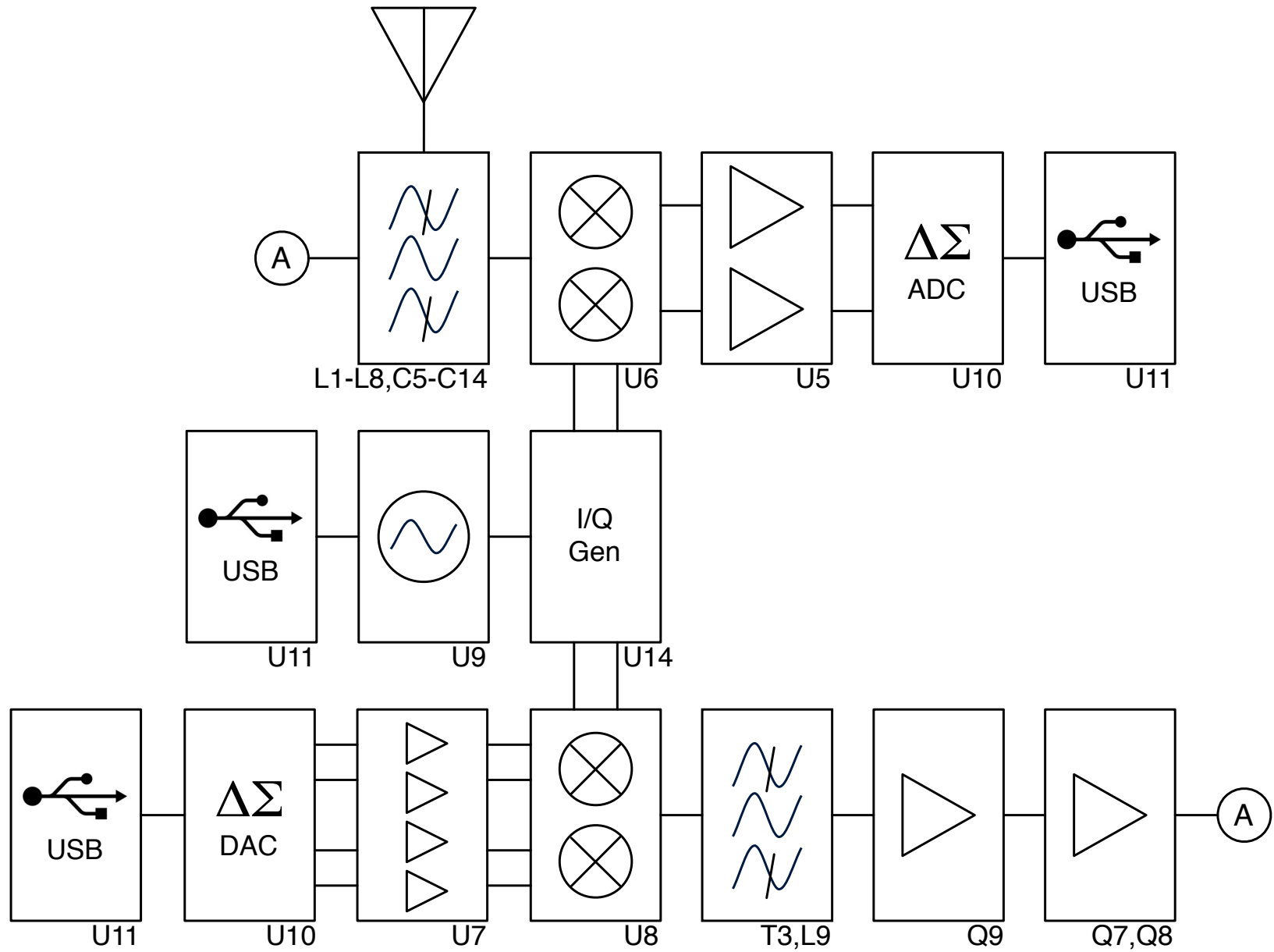
L4 0.075μH 5T
T37-6 5" #26

C5 68pF
C6 33pF
C7 omit
C8 472pF (390+82)
C9 182pF (100+82)

RF Chokes

L10, L11 4T BN-43-2402 6" #26

File: bands.sch	
Sheet: /Bands/	
Title: AE9RB Peaberry SDR V2	
Size: User	Date: 28 apr 2013
KiCad E.D.A.	Rev:
	Id: 4/5



File: block.sch	
Sheet: /Block Diagram/	
Title: AE9RB Peaberry SDR V2	
Size: User	Date: 28 apr 2013
KiCad E.D.A.	Rev:
	Id: 5/5